

# Aivia 200

## A-MIP 200 Installation and user guide



# General Information

## Important

Read this manual before installation and use of the Aivia. Read this section carefully and follow the instructions.

The warranty does not cover damage caused by failure to follow these instructions.

AIVIA PROTECTION are wall mounted protection units that serve to house and shelter AEDs. The AIVIA PROTECTION does not ensure control of the AED, it is the sole responsibility of the DISTRIBUTOR to inform their own SUB-DISTRIBUTORS and USERS of their obligation to verify the presence and operating status of the AED by carrying out regular on site checkups. Depending on the options chosen, the AIVIA PROTECTION can trigger a visual and sound alarm. The alarm is intended as a warning signal in case of any malfunction, but no data log of malfunctions is recorded. In no event can the presence and operating status of AEDs in an AIVIA PROTECTION be controlled from a distance. The AIVIA should in no case be a substitute for the checks and inspections recommended by the manufacturer of the defibrillator.

Installation must be carried out by a qualified operator or authorized by the Aivia's manufacturer

Never install an AIVIA in direct exposure to sunlight. The unheated AIVIA must be installed in a temperate environment, in accordance with the manufacturer's specifications for the defibrillator. The heated AIVIA must be installed in an environment that respects the operating temperatures of the AIVIA. You must monitor and follow up alerts related to temperature.

The characteristics of the AIVIA are subject to changes without notice.

The manufacturer of the AIVIA reserves the right to change products at any time, including unlimited modifications to previously delivered products.

The AIVIA brand is a registered trademark.

## Safety

- To avoid risk of fire or electric shock, the AIVIA should not be exposed to any naked flame.
- Leave a space of at least 13 cm around the AIVIA to assure proper ventilation.
- Keep the AIVIA away from radiators or any other heat source. Do not place the AIVIA near any devices that generate heat. Do not place anything under the AIVIA.
- To avoid damage, do not insert objects into any of the openings in the AIVIA.
- Never install the AIVIA in direct exposure to sunlight.
- Do not expose the AIVIA to any moisture when the door is open.

- The fixations must be adapted to the type of surface on which the AIVIA is fixed.

- The manufacturer cannot be held liable for improper installation or in the case of accident or injury during its installation.

## Warranty

Do not disassemble the various elements that constitute the AIVIA.

Do not insert any objects into any openings.

Only qualified personnel may carry out repairs on the AIVIA.

Failure to comply with this will void any warranty.

Any operation or assembly procedures expressly prohibited or not recommended by this manual, will also void the warranty.

## Environmental information

- When returning the AIVIA, you should only use the original packaging.

- Do not dispose of the AIVIA or its packaging with normal household waste. Use the collection system in place in your area. The use of collection systems will help preserve the environment and your health.

- The AIVIA can contain batteries in compliance with EU Directives 2006/66/CE and 2008/103/CE. These cannot be disposed of with normal household waste. Please use the system for collecting used batteries in place in your area. The proper disposal of used batteries preserves the environment and your health.



## Maintenance

### CAUTION

**THE AIVIA CONTAINS BATTERIES.  
THERE IS A RISK OF EXPLOSION IF THE  
BATTERIES SUPPLIED FOR USE BY THE AIVIA ARE  
REPLACED BY INCORRECT BATTERIES.**

**ONLY AN AUTHORIZED OPERATOR CAN CARRY  
OUT MAINTENANCE OPERATIONS, INCLUDING  
REPLACING THE BATTERIES.**

# Contents

---

|                                |           |
|--------------------------------|-----------|
| <b>Installation</b>            | <b>4</b>  |
| <b>Important</b>               | <b>4</b>  |
| Aivia presentation             | 4         |
| Identification Label           | 4         |
| Initial opening                | 4         |
| Aivia installation             | 5         |
| Connect power to the Aivia     | 6         |
| Setting up the defibrillator   | 7         |
| Installing seals               | 7         |
| Pictograms                     | 7         |
| <b>Use</b>                     | <b>9</b>  |
| Night mode operation           | 9         |
| Heating option operation       | 9         |
| Alarm operation                | 9         |
| Using the Aivia                | 9         |
| After using the defibrillator  | 9         |
| Aivia Maintenance              | 9         |
| <b>In case of malfunction</b>  | <b>10</b> |
| <b>Aivia 200 W</b>             | <b>12</b> |
| <b>Electrical Installation</b> | <b>13</b> |
| <b>Specifications</b>          | <b>14</b> |
| Mechanical properties          | 14        |
| Technical properties           | 14        |
| Compliance                     | 14        |

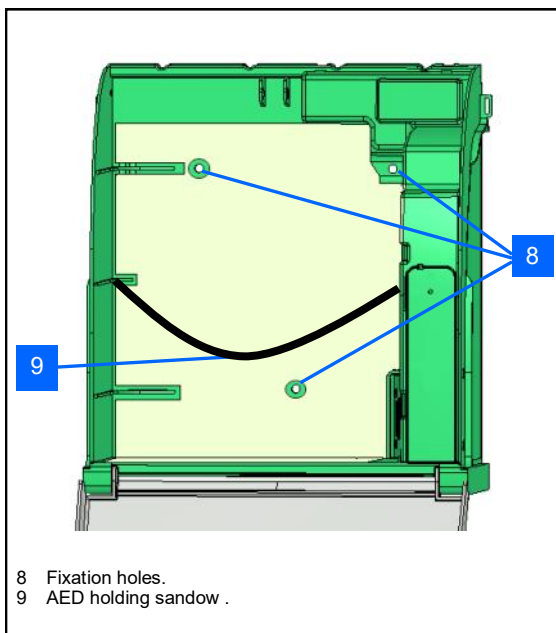
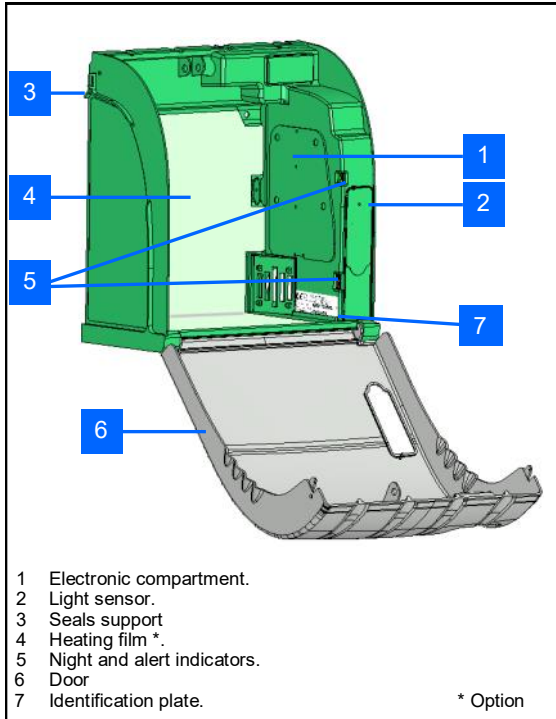
# Installation

## Important

Read this manual carefully before setting up and using the Aivia.

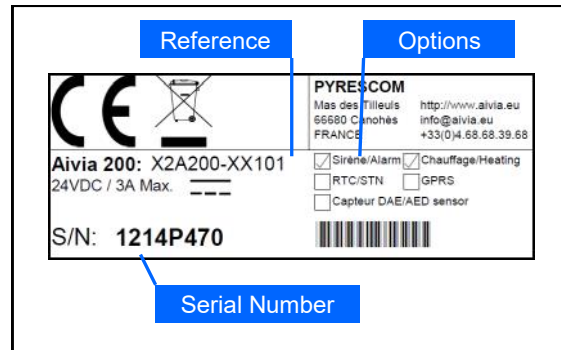
**Never install an Aivia in direct exposure to sunlight. You risk exposing the defibrillator to excessive temperatures.**

## Aivia presentation



## Identification Label

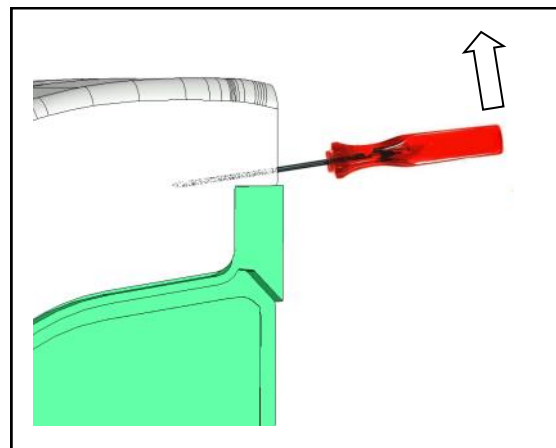
- The identification label is located inside the Aivia.



- In the event you need to reach customer services or your distributor, please make sure you have your Aivia reference and serial number available.

## Initial opening

- To open the Aivia door before wall mounting, use a small screwdriver.
- Slide the screwdriver between the door and the Aivia frame.
- Lift up the screwdriver, taking care not to mark the components.



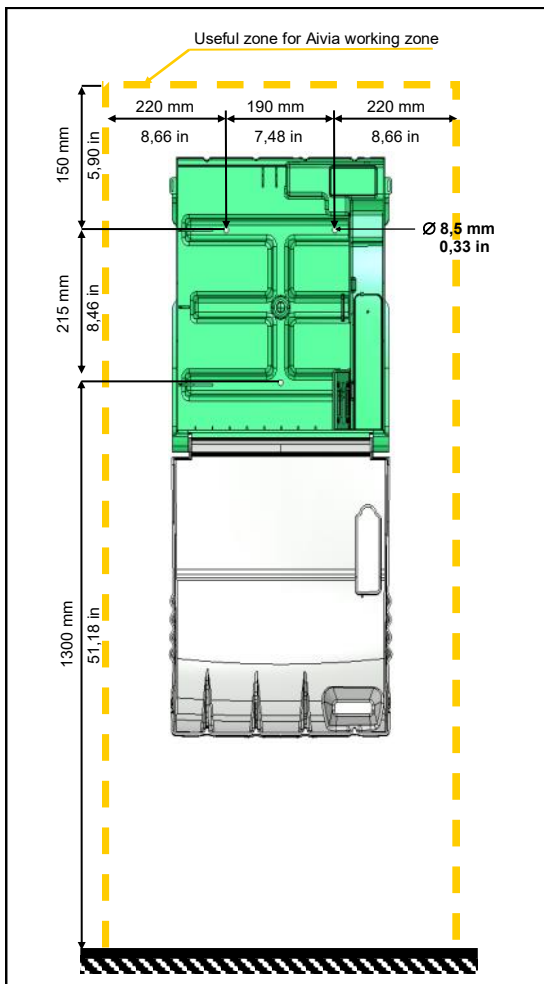
- Do this on both sides of the Aivia.

# Installation

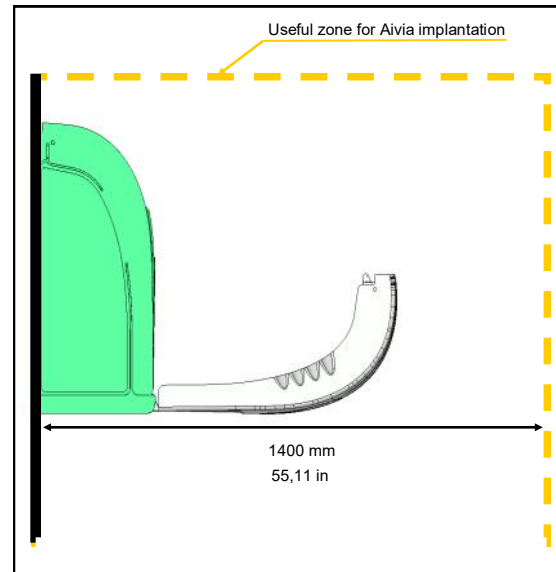
## Aivia Installation

**Never install an Aivia in direct exposure to sunlight. You risk exposing the defibrillator to excessive temperatures.**

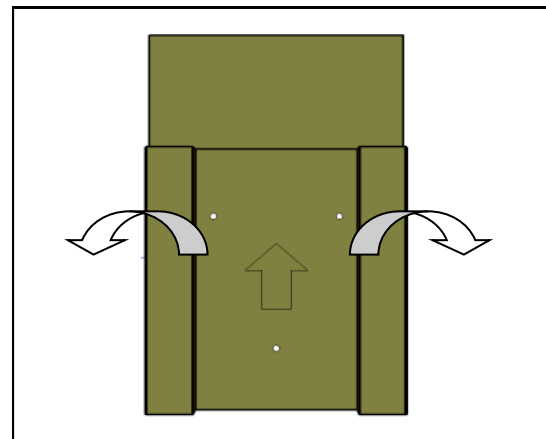
- Installation must be carried out by a qualified operator who adheres to the Bornavie charter or authorized by the Aivia manufacturer
- If the Aivia is installed in a public street or place with public access, install a fixed ground plate (abutment) or column.
- Fixations must be suitable for the type of surface which the Aivia is attached to.
- Aivia working zone must be kept free as specified above.
- The exact dimensions of the Aivia are provided at the end of this document in the Specifications section.
- Make sure that every cable has been taken through the cable passage before affixing the Aivia to the wall.



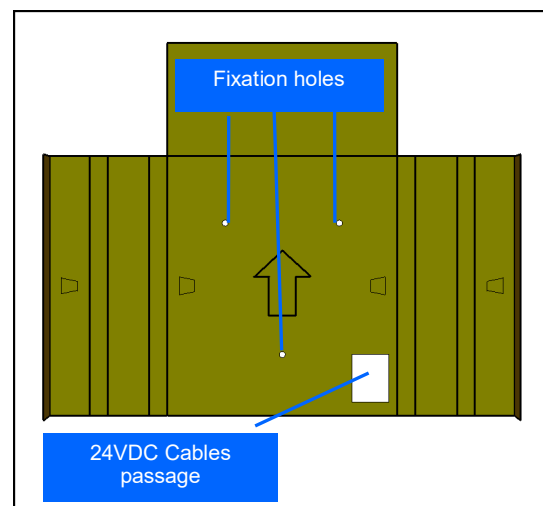
- Let a free space of 140 cm (55,11 in) in front of the supporting wall to allow for easy opening of the Aivia.



- To mark fixations and cable passageway, use the drilling template provided with the packaging.



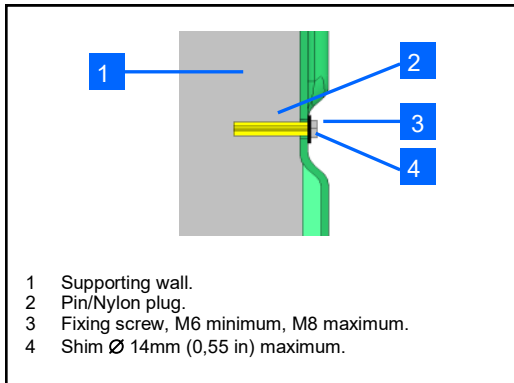
- Put the template against the wall, with the arrow facing upwards and towards you.



# Installation

- Use suitable mounting method for the type of substrate on which Aivia is installed.
- Mounting must be able to support a minimum load of 20 Kg.(44lb).

• Fixing example:

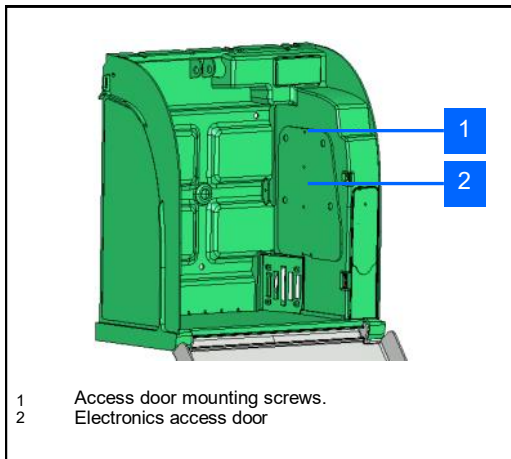


- Washer plus screw head thickness must not exceed 8 mm. (0,31 in)

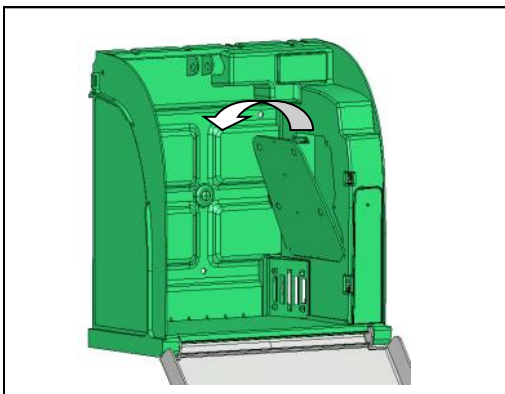
**Affix the Aivia using the 3 fixation holes**

## Connect power to the Aivia

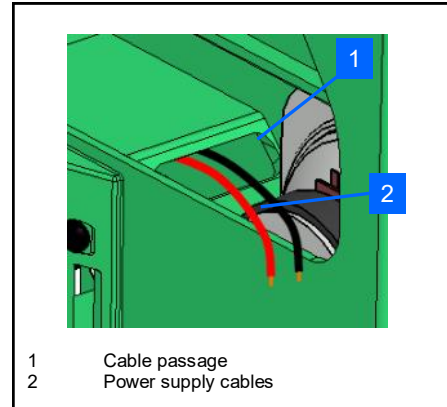
The Aivia must be supplied with 24VDC power, ensure compliance with the "Electrical Installation" section



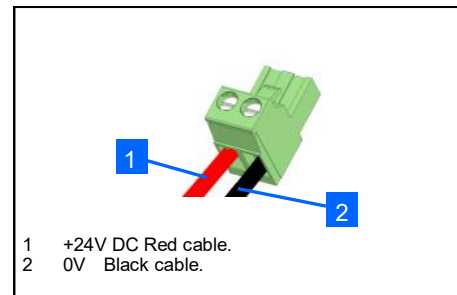
- Unscrew the fixing screw with a phillips screwdriver and pull out the hatch from the top.



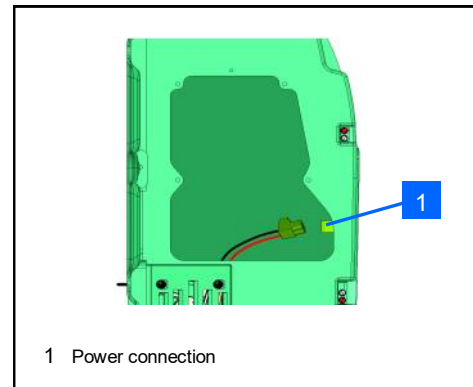
- Pass power wiring through the wiring pass through



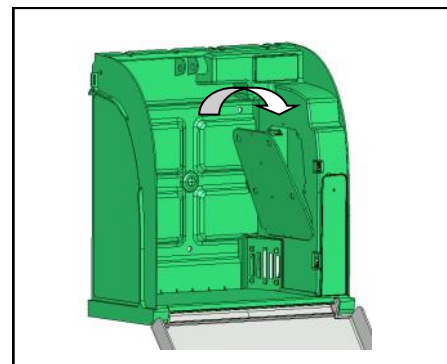
- Connect cables to the supply terminals, respecting proper polarity.



- Connect the terminal to the power connector.



- Ensure that the Aivia is under power by checking that the red warning lights are blinking.

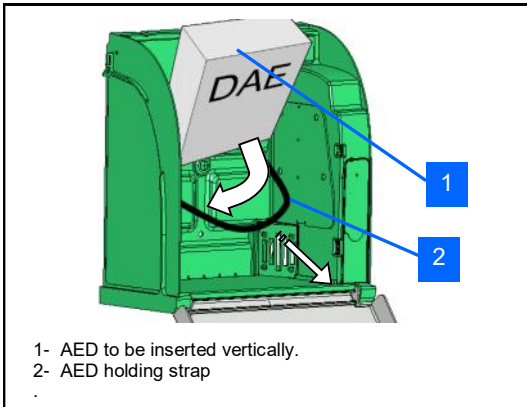


- Replace the access door by insert the lower edge first.
- Insert mounting screws using a Philips screwdriver.

# Installation

## Setting up the defibrillator

Pull on the holding strap and insert the AED behind the strap



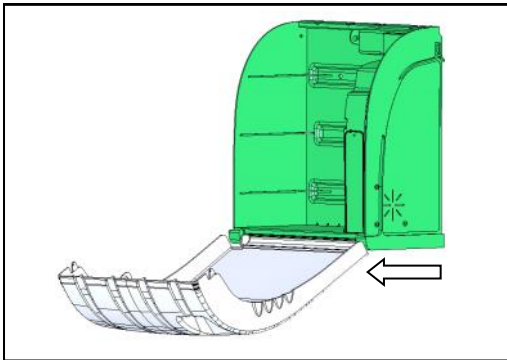
- The strap allows for a simple extraction of the AED while ensuring the AED is securely held.

## Installing seals

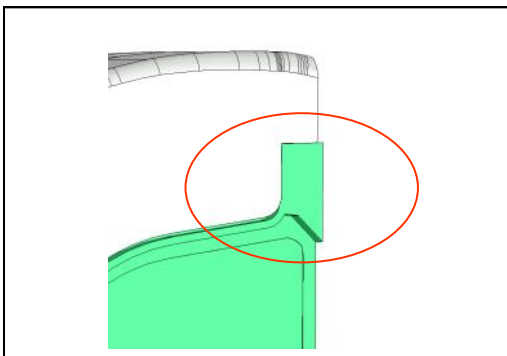
- The Aivia is shipped with two seal kits
- Seals give evidence of door having been opened
- Regularly inspect seal condition
- **You must install the AED status sensor on the AIVIA W before establishing the seals. Please refer to the AIVIA 200 W section**

## Seal installation

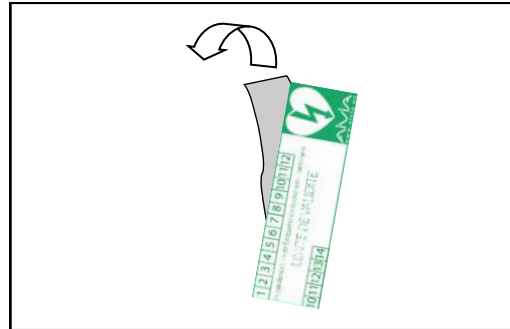
- Completely close the Aivia door. Be sure to pull the door base toward you before shutting the door



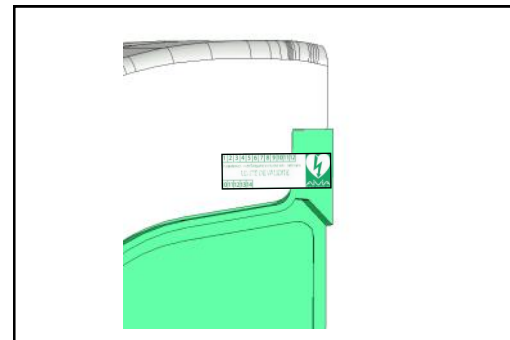
- The surfaces must be clean, dry and without any grease



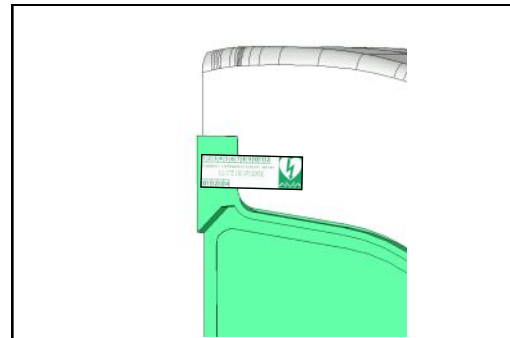
- Remove the protective film from the seal



- Stick the seal covering both the AIVIA door and chassis

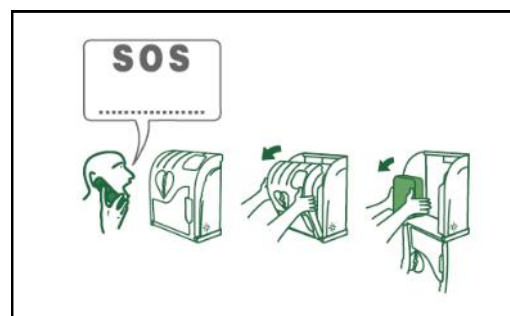


- Seals must be installed on both sides of the AIVIA



## Pictograms

- The signs on the door of AIVIA inform you of what to do in an emergency.
- You must mark the emergency number to call in the SOS pictogram if one is not already noted there.



## Notes

---



# Use

## Night mode operation

- The Aivia is equipped with a light detector. In low ambient light, blinking white lights help identify the location of the Aivia.

## Heating option operation

- The heating option allows to maintain the AED operating temperature within working temperatures. In extreme cold temperatures, it is worthwhile checking that the alert temperature is not signaled by the flashing of the red indicators.
- The fan allows the heat to be extracted from the Aivia. In hot weather, it is worthwhile checking that the alert temperature is not signaled by the flashing of the red indicators

## Alarm operation

### Door opening alarm:

- When the door is opened the visual alert is given by the flashing of the red indicators.
- If your Aivia is equipped with an audible alarm (Reference: X2A200-XX100 or X2A200-XX101) it will sound for 3 minutes (30 seconds for an AIVIA W).
- Close the door to stop the alarm.

### Temperature alarm:

- The temperature alarm, indicated by a continuously flashing red light when the door is closed, is triggered below 5° or above 40°.

## Using the Aivia

### If you are a witness of an incident requiring use of a defibrillator.

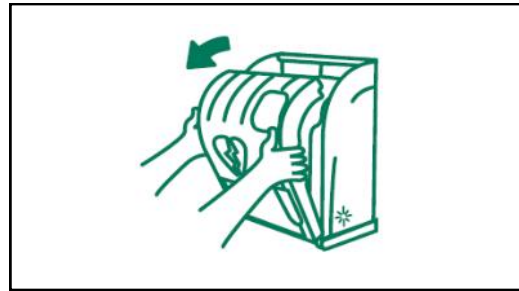
#### Call emergency services.

Speak in a strong, clear voice, describe the situation and specify the location of the incident.



### Open the Aivia door by pulling the top.

The visual warning will be given by blinking red lights. If your Aivia is equipped with an audible alarm, it will sound for about 3 minutes (30 seconds for an AIVIA W).



- **Take the defibrillator out**



- **Go to the victim**
- **Switch on the defibrillator**
- **Follow the defibrillator instructions**

## After using the defibrillator

- Do not place the defibrillator back inside the AIVIA before reactivating it.
- Follow the instructions in the defibrillator's manual to reset it for use.
- The manufacturer may be able to help reactivate the defibrillator. Please feel free to contact them.
- After reactivating the defibrillator, replace it inside the AIVIA using the instructions in the section "Setting up the defibrillator."
- Replace the seal using the instructions in the section "Installing seals".

## Aivia Maintenance

- Clean the surfaces of the Aivia using a soft damp cloth. Wipe the Aivia with a soft, clean and dry cloth. Do not use chemical products or cleaners, which may damage the Aivia.
- Do not rub the Aivia with a hard object, which may scratch or permanently damage the surfaces.
- Do not use any high pressure cleaner.
- Regularly inspect seals conditions
- If the Aivia seals have been broken, make sure that all items of the defibrillator are present and working properly. In case of any doubt, contact your defibrillator distributor.

## In case of malfunction

---

- When power is applied red lights do not blink.
  1. Check wiring polarity.
  2. Check power supply connection.
  3. Check voltage (24VDC) at the terminals.
  4. Check proper insertion into terminals
  5. Contact distributor.
  
- White lights do not blink in night operation.
  1. Check the AIVIA power supply.
  2. Contact your distributor.
  
- Red lights do not blink when the door is being opened.
  1. Check the AIVIA power supply.
  2. Contact your distributor..
  
- Siren does not works when the door is opened.
  1. Check the Siren option on the identification plate
  2. Check the AIVIA power supply.
  3. Contact your distributor.
  
- Red lights flash (Aivia 200 W).

| Number of flashes | Cause                     | Solution   |
|-------------------|---------------------------|--|
| 2                 | Faulty memory             | Contact your distributor   |
| 3                 | Lost setting              | Re-parameterize the Aivia  |
| 4                 | Temperature senso problem | Contact your distributor   |
| 5                 | Temperature alarm         | Check defibrillator function. If necessary, contact your distributor |
| 6                 | Absence AED               | Check the presence of AED and attach the sensor AED to its base      |
| 7                 | AED out of order          | Check defibrillator function   |

## Notes

---

# Aivia 200 W

## Aivia 200 W

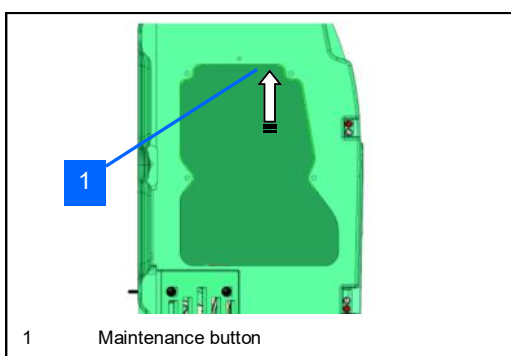
The Aivia 200 W permits to verify and trace the AED monitoring information of the AIVIANet server.

### • Maintenance operations.

All maintenance operations must be performed after pressing the maintenance button.

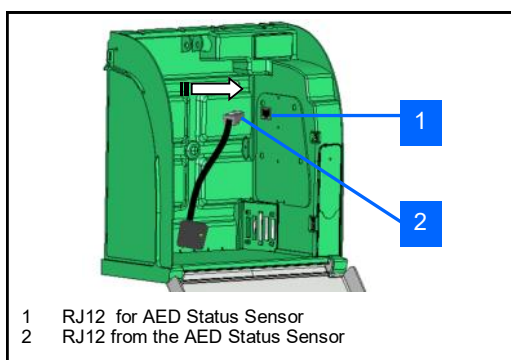
Maintenance mode stops the siren and the red warning lights. It blocks the data transmission at the AIVIANet server.

A maintenance operation without activating the maintenance mode may result an additional cost of the subscription.



### • Installation of the AED status sensor

The AED Status sensor requires that the AED and its status indicator be operational in order to correctly check the operational status of the indicator. Please check your AED instructions if needed..



• The AED status sensor connects to the base and then comes to rest on the base it self attached to the AED.

• For the installation of the adhesive base on the AED and the calibration procedure of the sensor, please refer to document.

### • Connection to the AIVIANET server.

After powering up, the connection to the AIVIANET server is automatic.

Visit the supervision website : [monitoring.aivia.eu](http://monitoring.aivia.eu) for more information sent by your Aivia.

On the supervision website, you can download the manual of the AIVIANET A-GUS in the documentation section.

### • Battery of the Aivia 200 W.

The Aivia is equipped with a battery enabling it, in the event of a power failure, to continue to monitor the AED and to transmit the information to the server AIVIANet.

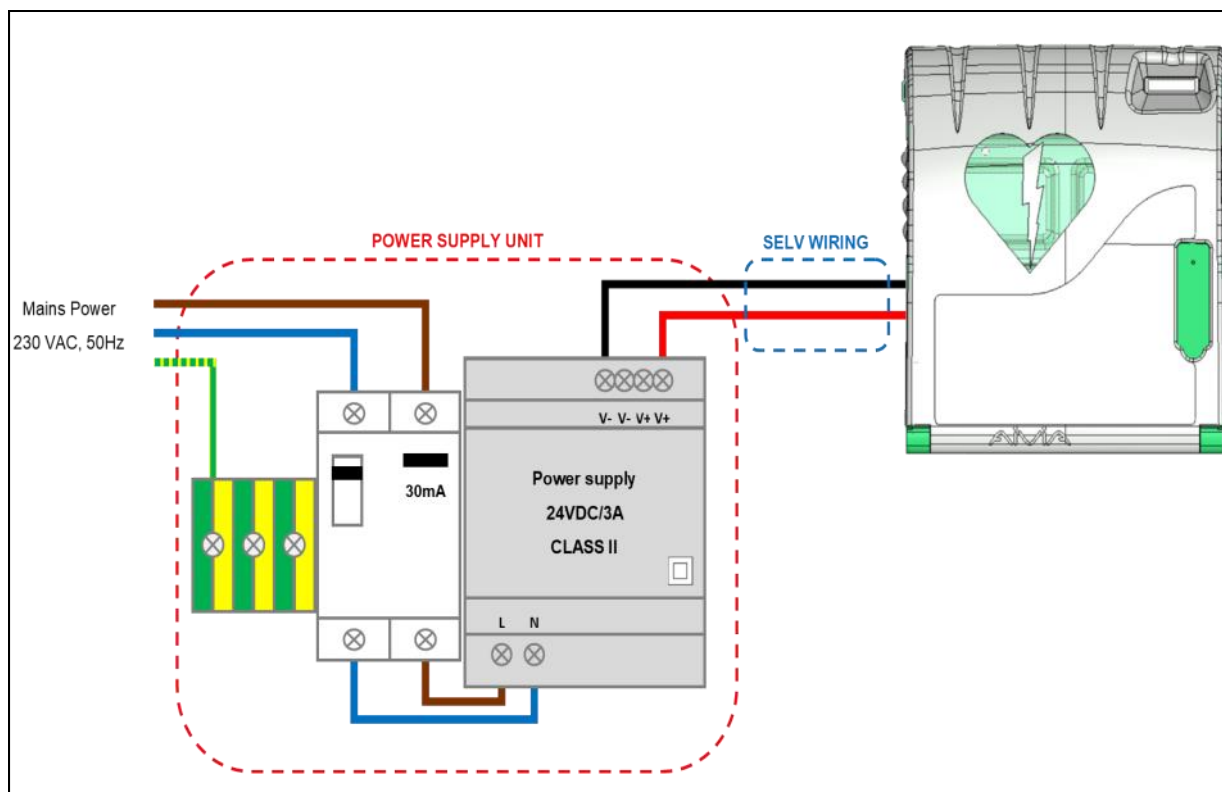
This battery provides autonomy to the Aivia 200 W over 3 days.

In this mode, the white and red leds and siren do not work.

### • Stop of the Aivia 200 W.

To stop the Aivia, open the door and press the maintenance button for 5 seconds.

# Electrical installation



## Power Supply Unit

**Must be located outside the Aivia, never installed inside the Aivia.**

- The power supply block must include:
  - A 10A/30mA residual current device, serving both to protect and disconnect the hardware.
  - A SELV or equivalent 24VDC  $\pm 2\%$  / 3A Class 2, with limited power output, and IEC 60950-1 conform.
  - The cable connecting the residual current device and the power supply must be a section of 1,5 mm<sup>2</sup>
- The main connection must include the primary phase, neutral, and earth.
- The maximum full load secondary voltage drop must not exceed 2%, or 23.5V at the Aivia terminal.
- The power block must be dust and water proof, and ventilated\*\*.

**•Wires must be held against themselves by a collar at the nearest of the holding terminals. The power block wiring must conform to standards in force in the country of use.**

\* Recommended power supply: PYRESCOM C\_AL/HDR100-24CA.

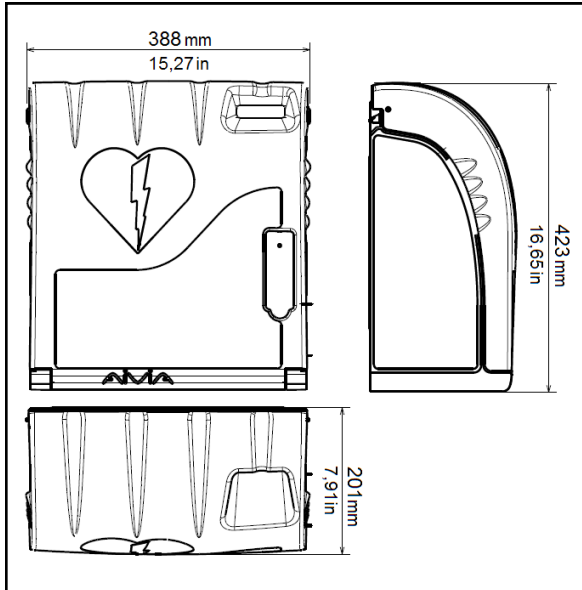
\*\* Natural or forced convection depending on the environment and thermal characteristics at maximum load.

## SELV Wiring:

- Type U1000R2V. 2 insulated jacketed conductors, 1,5 mm<sup>2</sup> area, 10 metres maximum length.
- Use red or maroon colour cable for the +24V line.
- Use black or gray colour cable for the 0V line.

# Specifications

## Mechanical properties



- Weight
  - X2A200-XX000: 5.95 lb
  - X2A200-XX100 (siren option): 6.61 lb
  - X2A200-XX001 (heating option): 6.39 lb
  - X2A200-XX101 (heating & siren option): 7.05 lb
- Materials:
  - Door: Polycarbonate.
  - Frame: ABS.
  - Bracket: ABS.
  - Hatch : ABS.

## Technical properties

- Power supply:
  - 24 VDC +-2% / 3A, TBTS source to limited power, complies with IEC 60950-1.
- Electrical consumption:
  - X2A200-XX000:
    - Minimum: 0.9 mA.
    - Maximum: 80 mA.
  - X2A200-XX100 (siren option):
    - Minimum: 0.9 mA.
    - Maximum: 500 mA.
    - Sound level: 103 dB / 39 inchs (1 metre).
  - X2A200-XX001 (heating option):
    - Minimum: 0.9 mA.
    - Maximum: 2000 mA.
  - X2A200-XX101 (heating & siren option):
    - Minimum: 0.9 mA.
    - Maximum: 2400 mA.
    - Sound level: 103 dB /39 inchs (1 metre).

- Operating temperatures and humidity:
  - Minimum: -4°F (-20°C)
  - Maximum: 131°F (55°C)
- Relative humidity: 95% without condensation.
- Temperature alarms:
  - Low temperature alarm: 41°F (5°C)
  - High temperature alarm: 104°F (40°C)
- Heating option:
  - (References: X2A200-XX001 or X2A200-XX101)
  - Heating setpoint: 55°F (13°C)
  - Ventilation setpoint: 81°F (27°C)
- Maximum weight capacity: 11 lb (5 kg)
- Maximum altitude: 78740 inchs (2000 m)



## Compliance

- IEC 60950-1:2005+A1:2009
- EN 60950-1:2006 (Second Edition) +A11:2009 +A1:2010 +A12:2011
- UL 60950-1:2007 R12.11
- CAN/CSA-C22.2 No.60950-1-07+A1:2011
- EN 61000-6-2:2005+A1:2006
- EN 61000-6-3:2007+A1:2011
- FCC Part 15:2009
- ICES 003:2004

## Notes

---

[www.aivia.eu](http://www.aivia.eu)

2019-02-20



[info@aivia.eu](mailto:info@aivia.eu)